

>165.65546 67612.23 2829 9555  
 >198.65546 65612.23 2829 9555  
 >152.698016 68818.28 2399 92356  
 >198.643636 78617.73 2289 783 56  
 >124.634546 78672.23 7779 683 56  
 >458.11142 83417.73 2397 876 56  
 >145.523286 64486.22 2689 986 56  
 >140.77060 32814.07 7060 328 56

## MODEL 6013M

## Automated 400 Amp Range Extender

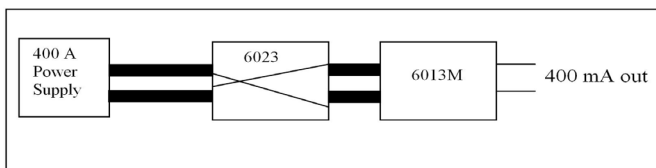


- 400 Amp Range Extender
- 1000:1 Capability
- 1  $\Omega$  to 1  $\mu\Omega$  Comparisons
- 400 Amp Shunt Measurement System
- One of a Kind

## MODEL INFORMATION

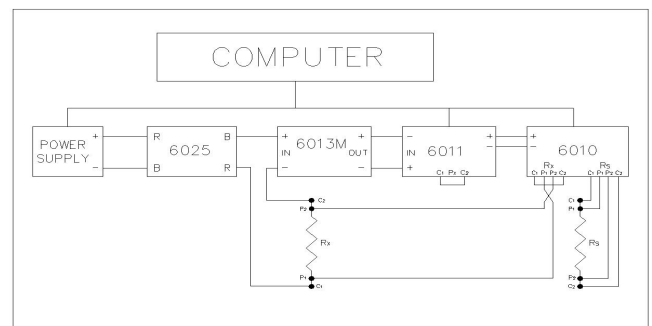
The 6013M precision DC range extender is based on direct current comparator technology. The 6013M provides a precision current division ratio of 1000:1 to a maximum of 400 amperes on its primary with 400 milliamperes out. Used in conjunction with the Model 6023 reversing switch, the 6013M can reverse currents up to 400 amperes.

The 6013M may be used as a stand-alone device to divide high DC Currents down to workable levels.



The 6013M Range Extender is also used in the Measurements International's Shunt

Measurement System with the 6010/ 6011 and 6023 high current reversing switch for ratio's of 1,000,000:1 to measure a 1  $\mu\Omega$  resistor against a 1  $\Omega$  standard (Model 9210) automatically for direct comparisons up to 400 amperes. This completely Automated "turn key" Current Shunt Measurement System includes a 6010 and 6011 and is the only system of its kind commercially available worldwide.



6013M used as range extender with the 6010



>163,65546 67810,7 2037 971  
 >198,65546 65612,23 2829 955  
 >198,65546 65612,23 2829 95556  
 >152,698016 68818,28 2399 92356  
 >198,643636 78617,73 2289 783 56  
 >124,634546 78672,23 7779 683 56  
 >458,11142 83417,73 2397 876 56  
 >145,523286 64486,22 2889 988 56  
 >140,77060 32814,07 7060 328 56



**Specifications:**

Maximum Ratio	1,000:1
Maximum Input Current	400 Amps
Maximum Output Current	0.4 Amps
Linearity	< 1 PPM for 10% of Full Scale Current
Accuracy	< 1 PPM
Current Resolution	< 0.05 PPM of Full Scale Current
Output Compliance	10V DC
Operating Environment	18 to 34°C, 10 to 80% RH
Warranty	1 Year Parts & Labor

Dimensions (W x D x H):  
 172 x 439 x 381 mm

Weight:  
 21 kg

Shipping Weight:  
 26Kg

Accessories:  
 6023 Reversing Switch

Operating Power:  
 100, 120, 220, 240V - 50/60 Hz

How to Order:  
 Model: 6013M - 400 Amp Extender

**Disributed By:**

**Corporate Headquarters**

**Measurements International**  
 PO Box 2359, 118 Commerce Drive  
 Prescott, Ontario, Canada K0E 1T0  
 Phone: (613) 925-5934  
 Fax: (613) 925-1195  
 Email: sales@mintl.com  
 Toll Free: 1-800-324-4988

**Worldwide Offices**

**MI-USA**  
 Phone: (407) 706-0328  
 Fax: (407) 706-0318  
 Email: sales@mintl.com  
 Toll Free: 1-866-684-6393

**MI-China**  
 Phone: 86-10-64459890  
 Fax: 86-10-64459871  
 Email: sales@mintl.com

**MI-Europe**  
 Phone: (420) 731-440-663  
 Fax: (420) 572-572-358  
 Email: sales@mintl.com

